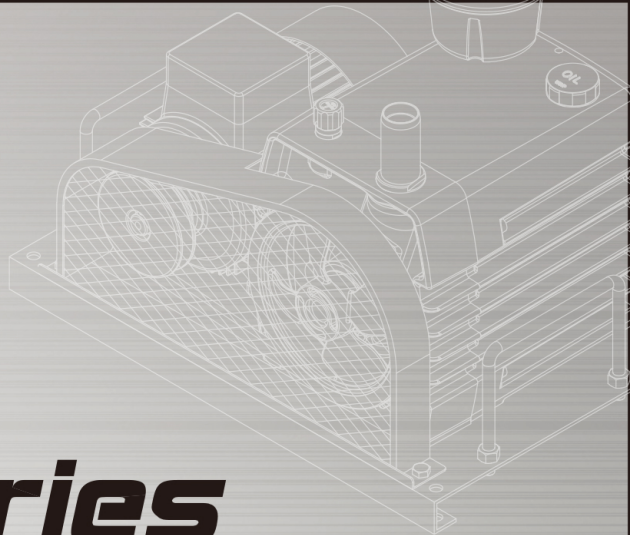




**WOOSUNG**  
vacuum pump



# ***WSVP Series***

Two stage oil rotary vane vacuum pump



**WSVP 2120, 2130, 2150**

[www.ws-vacuumpump.com](http://www.ws-vacuumpump.com)



Two stage oil rotary vane vacuum pump

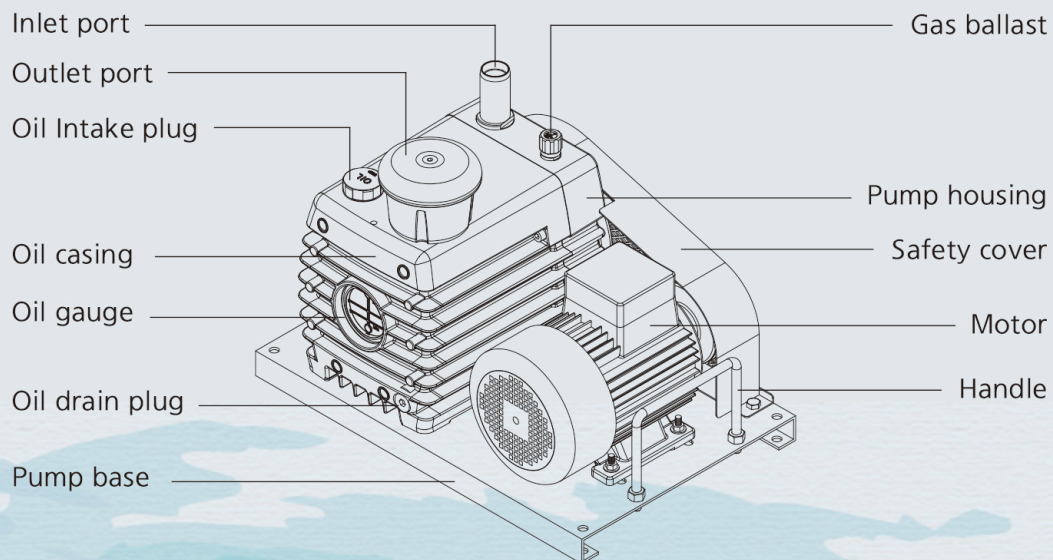
## WSVP 2120, 2130, 2150



### ▶ DESIGN FEATURE

- 우수한 진공도 및 배기속도
  - 간단한 가스밸러스트 밸브 조정
  - 컴팩트한 설계
  - 저소음 및 저진동
  - 유지보수 및 수리의 용이
  - 오일미스트 트랩(선택사항) 사용시 오일 소모 및 환경오염 방지
- 
- Excellent ultimate vacuum and pumping speed.
  - Convenient gas ballast valve control.
  - Simple compact design.
  - Low vibration level and low noise level.
  - Easy maintenance and repairing.
  - Oil mist trap (Optional) reduces oil consumption and prevents pollution.

### ▶ EXTERNAL PUMP SKETCH





Two stage oil rotary vane vacuum pump

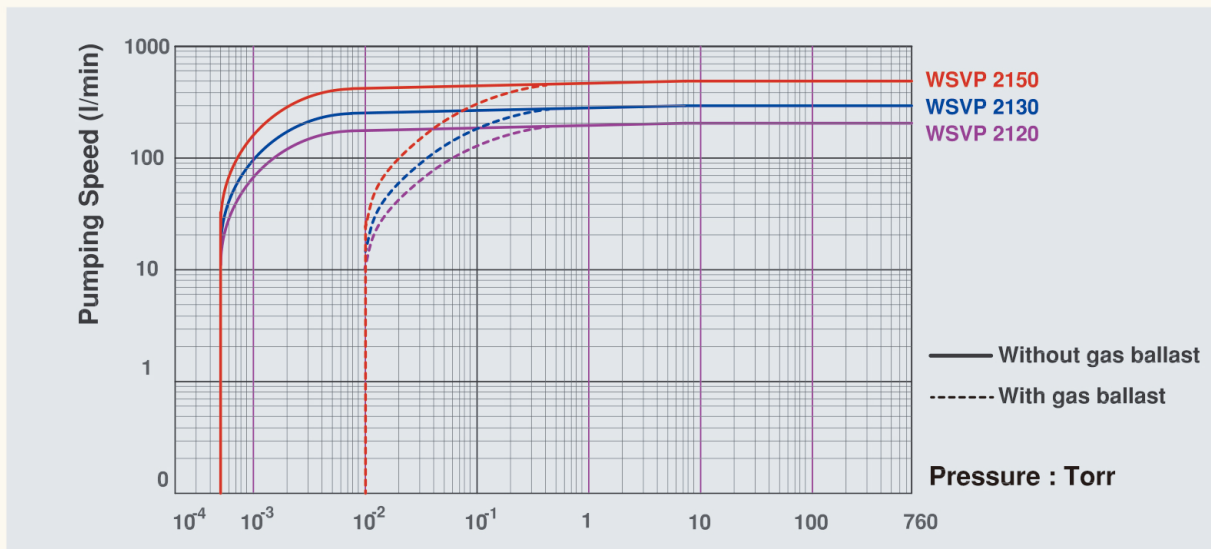
# WSVP 2120, 2130, 2150



## ▶ TECHNICAL DATA

DESCRIPTION		UNIT	WSVP2120	WSVP2130	WSVP2150
Displacement Speed		m <sup>3</sup> /h	12	18	30
		L/Min	200	300	500
Ultimate Pressure	With gas ballast	Torr	$5 \times 10^{-2}$	$5 \times 10^{-2}$	$5 \times 10^{-2}$
	Without gas ballast		$5 \times 10^{-4}$	$5 \times 10^{-4}$	$5 \times 10^{-4}$
Inlet Port		mm	∅32	∅32	∅46
Outlet Port		mm	M35 x 1.5	M35 x 1.5	M50 x 1.5
Motor Power		kW	0.4	0.75	0.75
Rotational speed of Pump		R.P.M	900	900	900
Oil Filling		Liter	1.8	2.0	4.0
V - belt		Size/Q'ty	A34" / 1	A34" / 1	A41" / 2
Weight(including motor)		kg	23(37)	26(43)	46(71)

## ▶ PUMPING SPEED CURVE



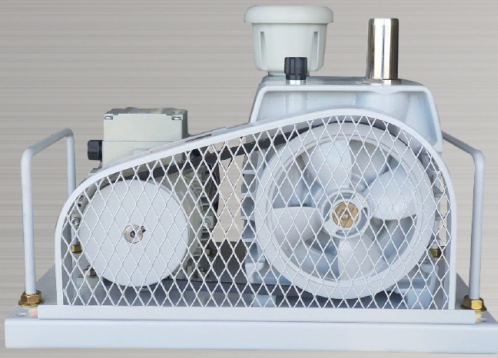
### ✓ 항시 점검 사항

1. 유량의 적정 여부
2. 벨트의 장력상태 및 노후 정도
3. 오일 누유 여부

### ✓ Checking Points

1. Prefer quantity of vacuum oil
2. Tension and worn out of V-Belts
3. Wherever vacuum oil leaks

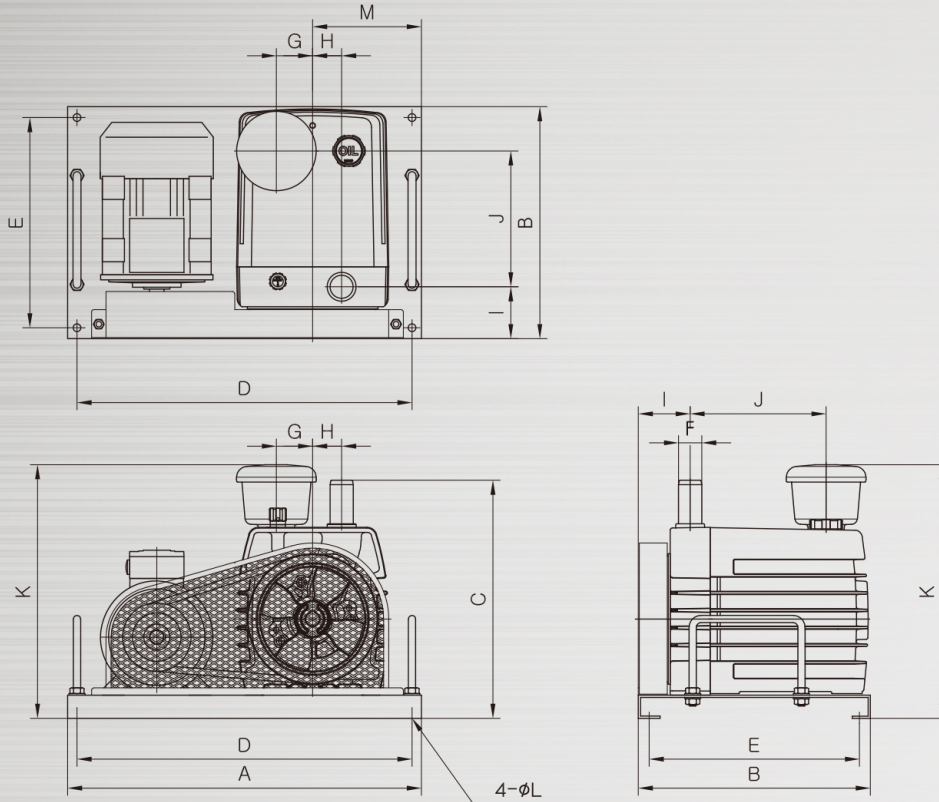




Two stage oil rotary vane vacuum pump

# WSVP 2120, 2130, 2150

## ▶ OUTSIDE DIMENSION



Model	A	B	C	D	E	F	G	H	I	J	K	L	M
WSVP2120	488	285	329	462	255	∅32	50	40	71.5	157.5	350	∅11	150
WSVP2130	488	320	329	462	290	∅32	50	40	71.5	187.5	385	∅11	150
WSVP2150	580	395	417	550	365	∅46	50	40	79.5	230	454	∅11	190

### ✓ 주의사항

모든 부품이나 진공오일은 순정품이나 제조자가 추천한 제품을 사용하기 바라며, 만약 불량품을 사용하여 발생한 고장에 대해서는 책임을 지지 않습니다.

### ✓ Attention

All spare parts and vacuum oil should be used genuine ones or suitable recommended by manufacturer. If any troubles from customers used defective parts, we don't have a responsibility.



**우성진공펌프(주)**  
WOOSUNG VACUUM CO., LTD.

※ 본사판매

경기도 김포시 양촌읍 황금로 258번길 14

TEL : 031-432-7324

FAX : 031-498-7328

홈페이지 : [www.vacuumkorea.com](http://www.vacuumkorea.com)

※ Head office

14, Hwanggeum-ro 258beon-gil,  
Yangchon-eup, Gimposi, Gyeonggi-do, Korea

TEL : 031-432-7324

FAX : 031-498-7328

Homepage : [www.vacuumkorea.com](http://www.vacuumkorea.com)